

6

5

4

3

2

1

**MATERIAL AND FINISH:**

Insulator: Polycarbonate, UL-94V-0 rated

Contacts: IEC C14, 70°C: Brass, Nickel plated

IEC C16, 120°C: Bronze, Nickel plated

**ELECTRICAL SPECIFICATIONS:**

Current rating: 10 A

Voltage rating: 250 VAC

**ORDERING CODE:**

42R04- $\frac{2}{1}$   $\frac{2}{2}$   $\frac{1}{2}$

**1) ELECTRICAL CIRCUIT CONFIGURATION**

1 = IEC C14, 10A 250V 70°C  
2+GROUND



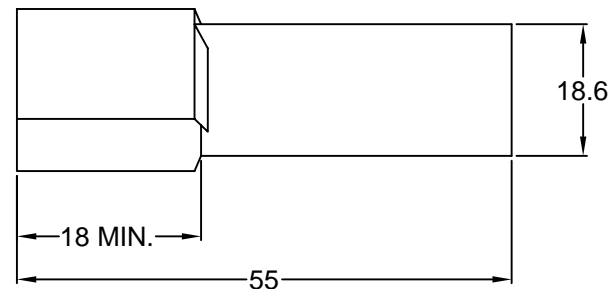
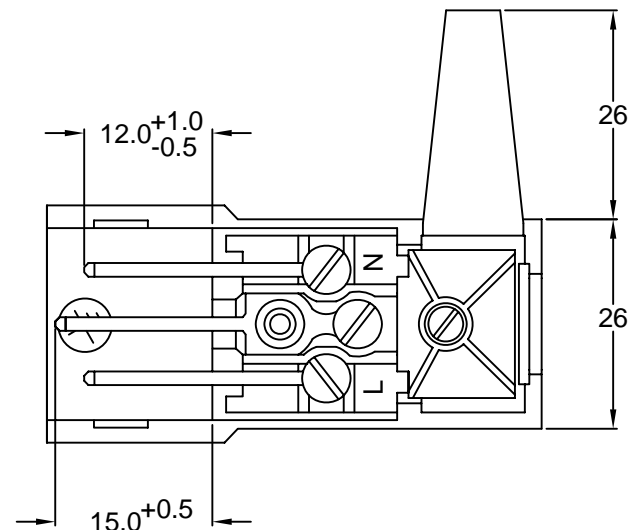
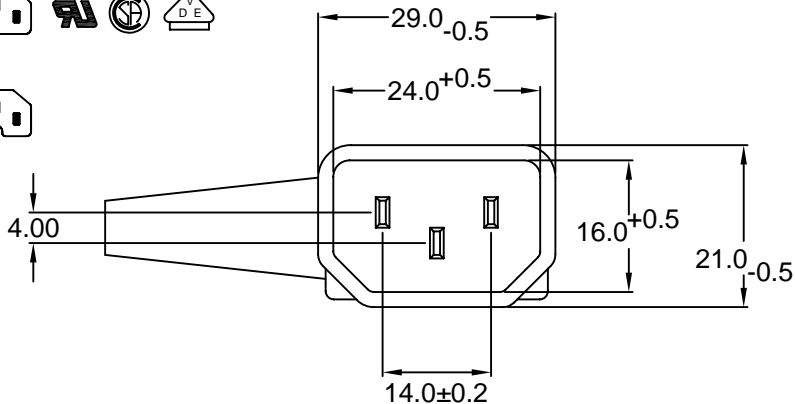
2 = IEC C16, 10A 250V 120°C  
2+GROUND



**2) COLOR**

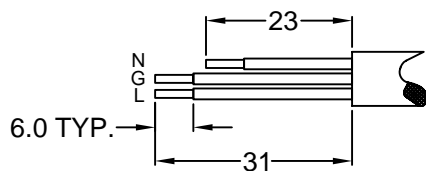
1 = BLACK

2 = GRAY



**NOTES:**

- 1. Contains integral cable clamp strain relief & internal screw type connections. Maximum wire gauge is 16AWG stranded.
- 2. Recommended screw torque: 1.2Nm
- 3. Recommended strip length for jacket and conductors:



**RoHS COMPLIANT**

REV	DATE	CHANGE	CHNG CHECK APPR		
			PB	DF	PB
A	1/25/07	ADD NOTES 2 & 3; RoHS	PB	DF	
B	11/10/08	29.0 -0.5 WAS 28.2 +0.3	PB	PB	
C	6/9/10	ADD C16 CONTACT MATERIAL	PB	PB	

TOLERANCE UNLESS OTHERWISE SPECIFIED	
X	± 1
X.X	± 0.4
X.XX	± 0.20
DRAWN BY	GQ
DATE:	08/17/01
CHECK BY	TD
DATE:	08/20/01
APPR BY	PB
DATE:	08/21/01

**Power Dynamics, Inc.**  
 Phone: 973 560-0019 Whippany, New Jersey Fax: 973 560-0076

**PART: IEC 60320 C14 & C16 MALE POWER CORD PLUG; R/A RIGHT HANDED CONNECTION**

**42R04-X2X1**

SIZE: A  
SCALE: NTS

ALL DIMENSIONS FOR REFERENCE ONLY  
DIMENSIONS ARE IN MILLIMETERS

SHEET 1 of 1  
REV: C